

## Ламінарні мастильні помпи



- 1\_Ламінарні мастильні помпи ORV
- 2\_Rotary vane pumps RV
- 3\_Piston pumps VP
- 4\_Liquid ring pump LRX and LRM



**INECO**®

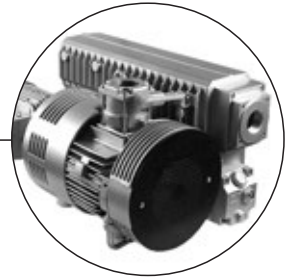
Air and Vacuum  
Components

[www.in-eco.sk](http://www.in-eco.sk)

## 1\_Ламінарні мастильні помпи ORV

---

- > Ламінарні мастильні помпи ORV  
ORV 08, ORV 10, ORV 16, ORV 20, ORV 25, ORV 40, ORV 63, ORV 100,  
ORV 160, ORV 200, ORV 250, ORV 300, ORV 630



## 2\_Rotary vane pumps RV

---

- > Rotary vane pumps RV 22, RV 26
- > Rotary vane pumps RV 33, RV 53, RV 63, RV 83
- > Combined rotary vane pumps RVP 52, RVP 62, RVP 82



## 3\_Piston pumps VP

---

### Models of the standard pump

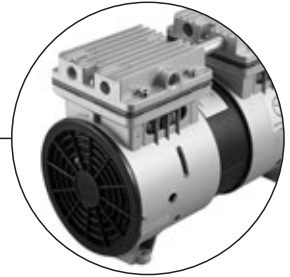
- > Models VP 25D, VP 40, VP 90S, VP 120S, VP 120P
- > Models VP 200P, VP 200S, VP 400P, VP 400S

### Laboratory models

- > Models VP LABV 10, VP LABV 20, VP LABV 30
- > Models VP LABV 150P, VP LABV 250P, VP LABV 150S, VP LABV 250S

### Vacuum systems

- > Models VPV



## 4\_Liquid ring pump LRX and LRM

---

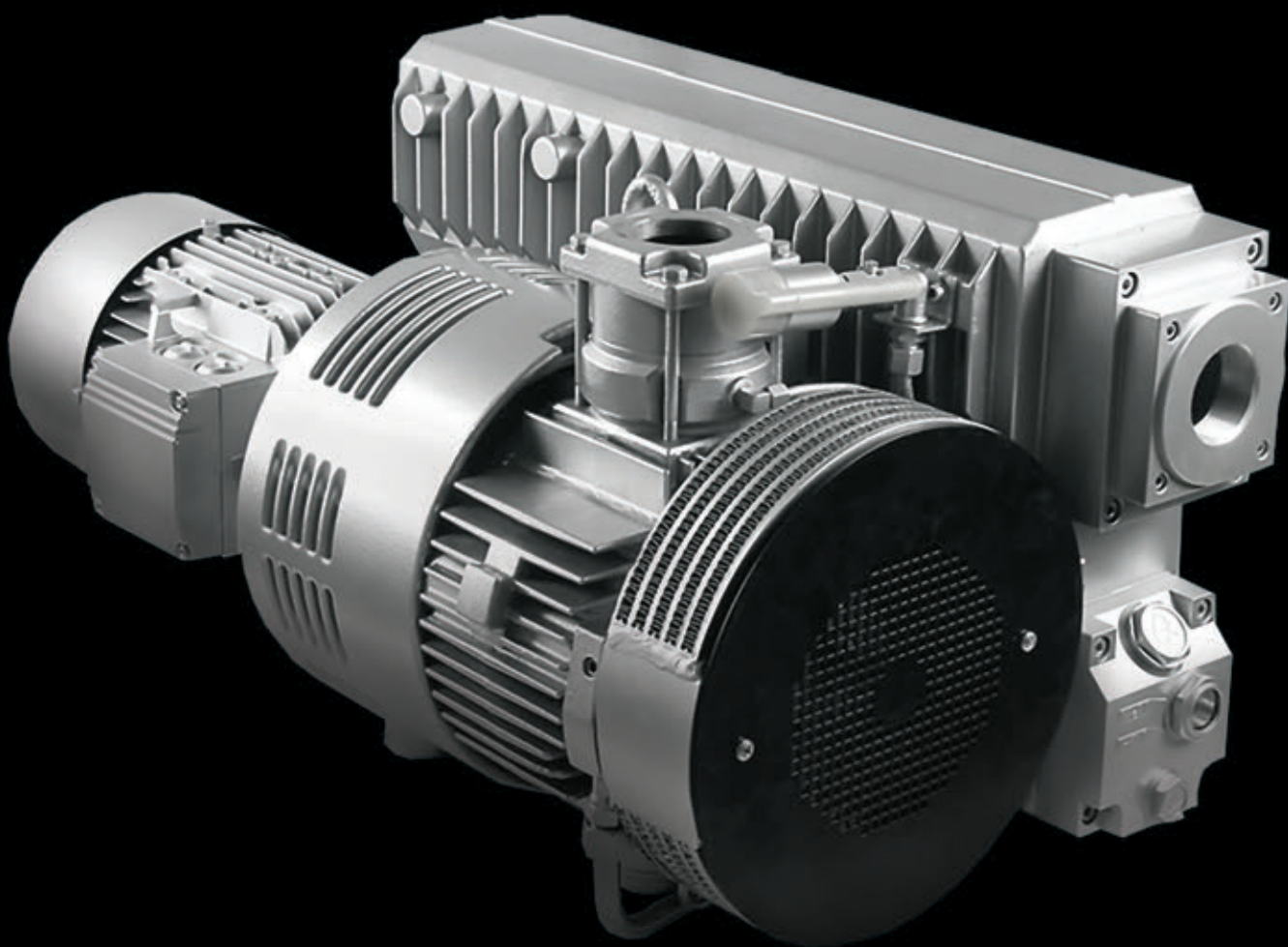
- > Models LRX 2060, LRX 2061, LRX 2070, LRX 2071,  
LRX 5110, LRX 5111, LRX 5121, LRX 5131, LRX 5161,  
LRX 6100, LRX 6111, LRX 6121, LRX 6131, LRX 6161
- > Models LRM 25, LRM 50, LRM 95, LRM 130,  
LRM 255, LRM 325, LRM 455



# 1

## Ламінарні мастильні помпи ORV

1\_ORV



# 1

## Ламінарні мастильні помпи ORV

### Principle:

The principle of operation of the Oil rotary vane vacuum pump is based on the rotating lamellas. Rotor (2) is situated excentric on the top in the cylindrical stator (1), so rotor is almost touching the stator. The lamellas (4) are pushed towards the wall of the stator by centrifugal force. Between two lamellas and stator it comes to the volume change of the compression chambers (7) by stator rotation, due to this fact the gas is sucked.

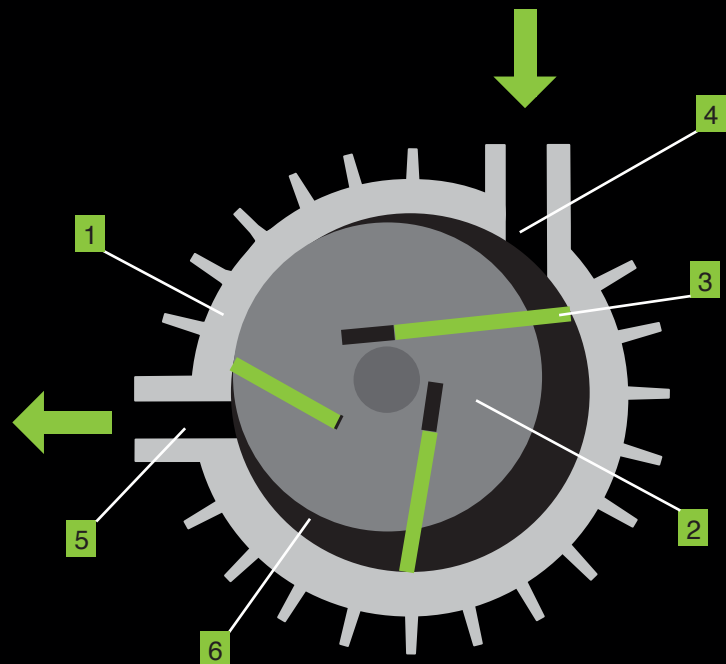
The oil in the pump serves as a lubricant for the internal parts and seals the fins against the stator, helping to achieve a higher vacuum.

### Характеристики:

- > Компактні і прості в установці
- > Низькі вимоги до обслуговування та зносу завдяки оптимальним обертанням валу
- > Низький рівень шуму та вібрації
- > Тиха робота без вироблення тепла
- > Екологічно чисті
- > Довготривалий термін експлуатації ламелів
- > Мінімальне обслуговування
- > Безперервна робота
- > Низький рівень шуму та вібрації

### Застосування:

- > Упаковка
- > Дегазація
- > Пневматичний транспорт
- > Сушіння
- > Обробка та зберігання
- > Дистиляція
- > Евакуація
- > Формування, тиснення і ламінування
- > Видалення відходів
- > Нанесення покриття



1) Stator 2) Rotor 3) Carbon lamellas 4) Input 5) Output  
6) Compression chamber

# 1

## Ламінарні мастильні помпи ORV

## Ламінарні мастильні помпи ORV



Тип	Ном. потужність всмок. (m³/h)	Кінцевий тиск ABS (mbar)	Ном. потужність двигуна (kW)	Ном. кількість обертів двигуна (min⁻¹)	Рівень шуму (ISO 2151) (dB)	Кількість мастила (l)	Маса прибіл.. (kg)	Розміри (L x W x H) (mm)	Впуск / випуск газу
<b>Трифазні</b>									
ORV 08	8	2	0,37	2800	60	0,25	11	330 x 165 x 152	G 3/8"
ORV 10	10	2	0,55	2800	69	0,30	18	340 x 210 x 205	G 1/2"
ORV 16	16	2	0,55	2800	69	0,30	18	340 x 210 x 205	G 1/2"
ORV 20	20	2	0,75	3000	66	0,45	20	338 x 232 x 220	G 3/4"
ORV 25	25	2	0,75	2800	64	0,50	20	405 x 253 x 210	G 3/4"
ORV 40	40	0,1	1,1	1500	65	1	38	640 x 285 x 262	G 1 1/4"
ORV 63	63	0,1	1,5	1500	67	2	55	635 x 406 x 289	G 1 1/4"
ORV 100	100	0,1	2,2	1500	67	2	73	736 x 406 x 289	G 1 1/4"
ORV 160	160	0,1	4,0	1500	70	5	140	854 x 492 x 411	G 2"
ORV 200	200	0,1	4,0	1500	72	5	140	854 x 492 x 411	G 2"
ORV 250	250	0,1	5,5	1500	72	6,50	190	1000 x 581 x 410	G 2"
ORV 300	300	0,1	7,5	1500	74	6,50	190	1075 x 565 x 421	G 2"
ORV 630	630	0,1	15	1000	77	15	700	1723 x 912 x 726	G 3"
<b>Однофазні</b>									
ORV 08-1	8	2	0,55	2800	60	0,25	11	330 x 165 x 152	G 3/8"
ORV 10-1	10	2	0,75	2800	69	0,30	18	340 x 210 x 205	G 1/2"
ORV 16-1	16	2	0,75	2800	69	0,30	18	340 x 210 x 205	G 1/2"
ORV 20-1	20	2	0,75	3000	66	0,45	20	338 x 232 x 220	G 3/4"
ORV 25-1	25	2	0,9	2800	64	0,5	25	405 x 253 x 210	G 3/4"

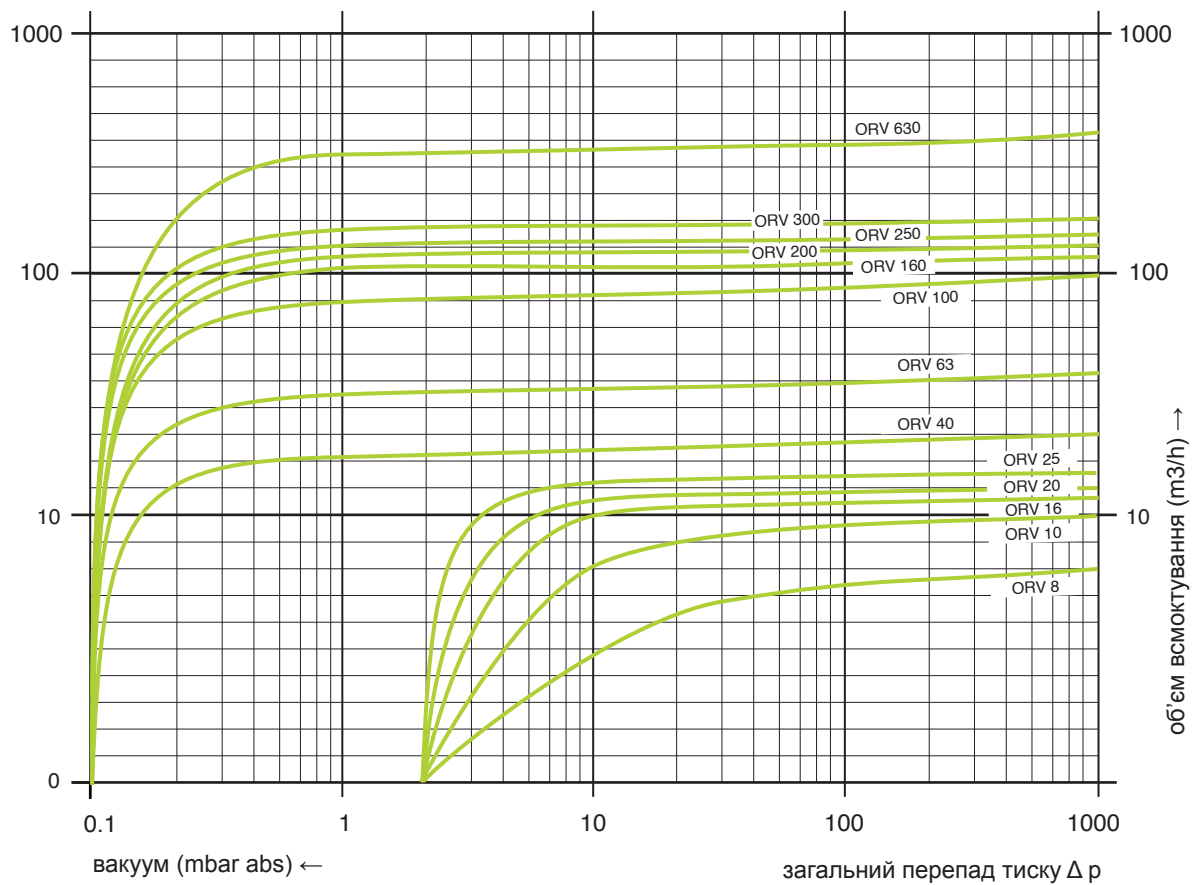
\* по дані щодо 60 Гц просимо звертатися

## Ламінарні мастильні помпи ORV

Криві продуктивності / вакууму

Робочі криві (50 Гц)

Робочі криві вказані для переміщення повітря за температури 15 °С при всмоктуванні за атмосферного тиску 1013 мбар з відхиленням +/- 10%. Сумарний перепад тиску вказано для температури вхідного повітря та температури довкілля 25 °С.

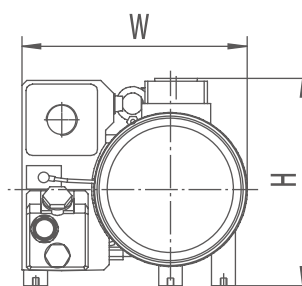
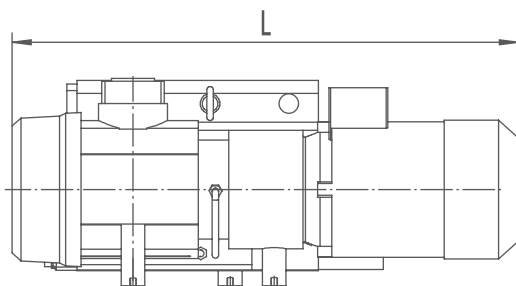


\* по дані щодо 60 Гц просимо звертатися

## Ламінарні мастильні помпи ORV

### Специфікація розмірів

Модель	L (mm)	W (mm)	H (mm)	Впуск / выпуск газу
ORV 08	330	165	152	G 3/8"
ORV 10	340	210	205	G 1/2"
ORV 16	340	210	205	G 1/2"
ORV 20	338	232	220	G 3/4"
ORV 25	405	253	210	G 3/4"
ORV 40	640	285	262	G 1 1/4"
ORV 63	635	406	289	G 1 1/4"
ORV 100	736	406	289	G 1 1/4"
ORV 160	854	492	411	G 2"
ORV 200	854	492	411	G 2"
ORV 250	1000	581	410	G 2"
ORV 300	1075	565	421	G 2"
ORV 630	1723	912	726	G 3"

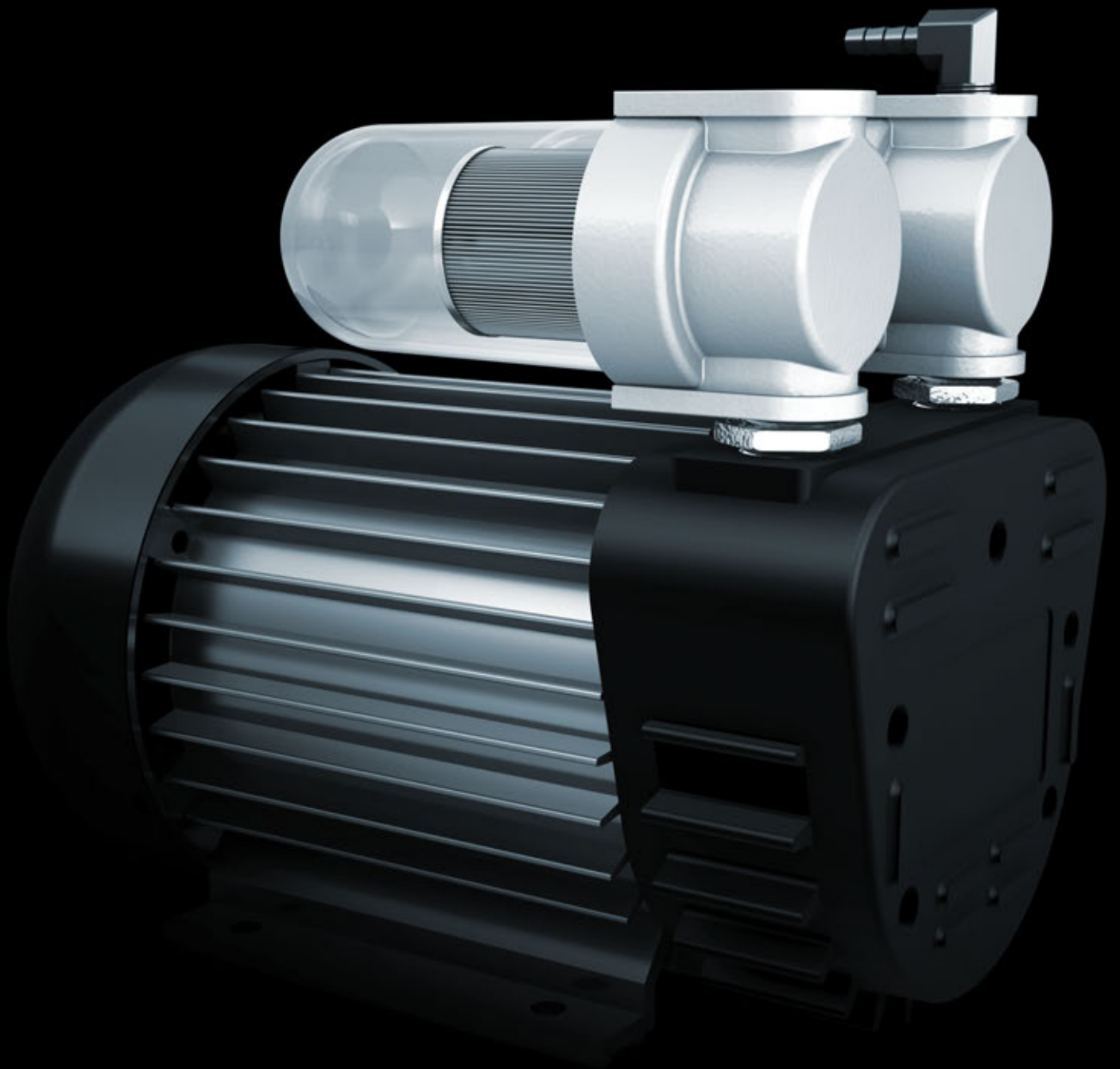




# 2

## Rotary vane pumps RV

—  
2\_RV



# 2

## Rotary vane pumps RV

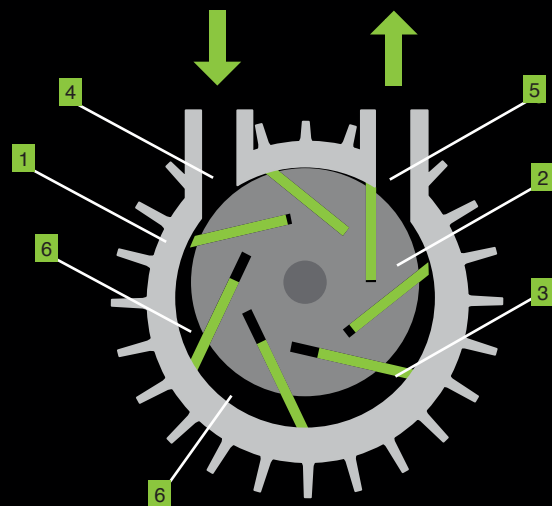
Rotary vane vacuum pumps (compressors) are suitable for use in the area of heavy vacuum and pressure. They can be used for the evacuation and transport of air or dry gases which are not toxic, aggressive or explosive. They represent the simplest and most suitable system wherever you need a precise source of vacuum without additions. They are applicable for sucking off in the small closed systems.

### Principle:

The principle of operation of the rotary vane vacuum pump is based on the rotating lamellas. Rotor (2) is situated excentric on the top in the cylindrical stator (1), so rotor is almost touching the stator. The lamellas (4) are pushed towards the wall of the stator by centrifugal force. Between two lamellas and stator it comes to the volume change of the compression chambers (7) by stator rotation, due to this fact the gas is sucked.

### Advantages:

- > oil-free operation
- > source of the vacuum without additions
- > compact and reliable construction
- > easy installation and maintenance
- > low weight and dimensions
- > continuous running without vibrations
- > economic operation



1) Stator 2) Rotor 3) Carbon lamellas 4) Input 5) Output  
6) Compression chamber

## Rotary vane pumps RV 22, RV 26

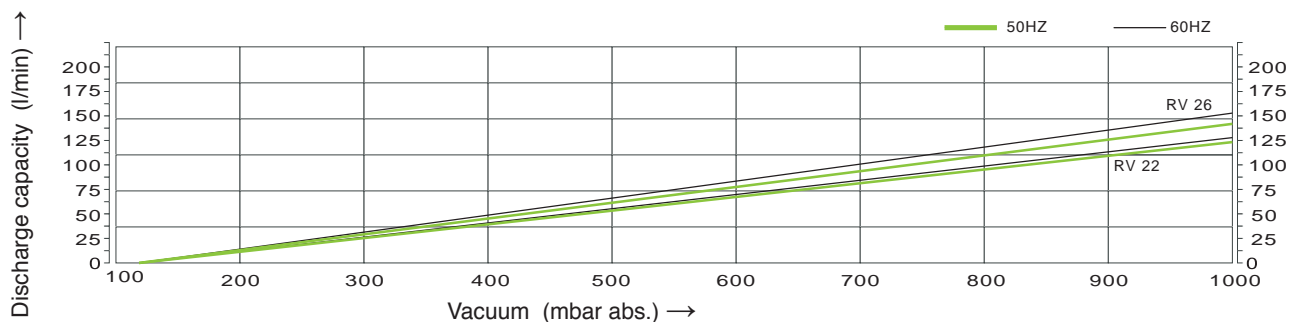


Type	Discharge capacity (L/min) 50/60Hz	Vacuum (mbar)	Motor (IP54), 50 Hz / 60Hz			Thermal protector	Noise level (dB)	Weight (kg)	Blower connection (inner thread)
			Power	Voltage	Current				
			( kW ) 50/60Hz	( V ) 50/60Hz	( A ) 50/60Hz				
<b>Single-phase</b>									
RV 22	120/135	850	0,31 / 0,38	230 / 110	1,6 / 1,8 (3,5)	áno	59 / 62	13	3/8
RV 26	135/155	850	0,31 / 0,38	230 / 110	1,9 / 2,2 (3,8)	áno	59 / 62	14	3/8

### Performance curves / Vacuum

#### Operating curves

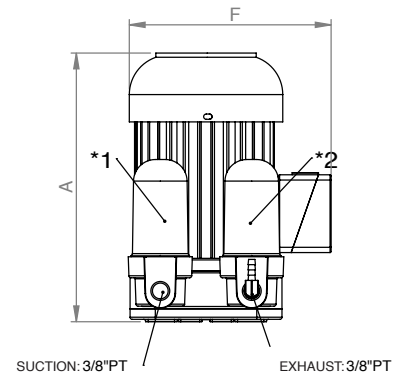
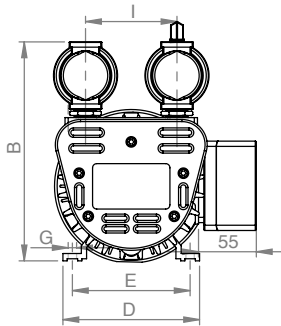
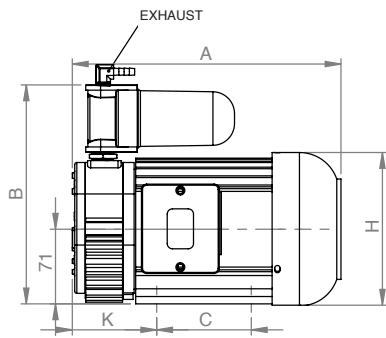
Performance curves are defined for the air transportation with the temperature 15°C set for the suction by the atmospheric pressure 1013 mbar with the permissible deviation +/-10%. Total pressure difference is valid for the temperature of the suction air and the ambient operating temperature 25°C.



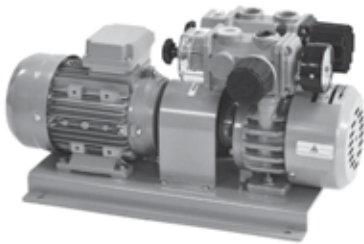
## Rotary vane pumps RV 22, RV 26

### Dimensions

Type	A	B	C	D	E	F	G	H	J	K
RV 22	258	220	90	130	112	192	Ø8	Ø145	87	80
RV 26	260	220	90	130	112	192	Ø8	Ø145	87	82

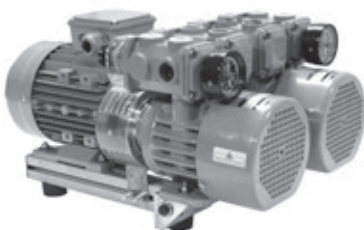


## Rotary vane pumps RV 33, RV 53, RV 63, RV 83



Type	Discharge capacity (L/min) 50/60Hz	Max. vacuum (mbar) 50/60Hz	Motor (IP54), 50 Hz / 60Hz			Noise level (dB)	Weight (kg)	Blower connection (inner thread)
			Power	Voltage	Current			
			( kW )	( V )	( A )			
<b>Three-phase</b>								
RV 33	235/280	840/866	0,30 / 0,37	200-240 Δ / 345-415 Y	1,5 Δ / 1 Y	65/70	21	3/4"
RV 53	405/480	860/900	0,70 / 0,75	200-240 Δ / 345-415 Y	2,5 Δ / 1,7 Y	66/71	27	3/4"
RV 63	575/685	860/900	1,35 / 1,50	200-240 Δ / 345-415 Y	4,6 Δ / 2,3 Y	67/73	36	3/4"
RV 83	1130/1350	880/924	2 / 2,2	200-240 Δ / 345-415 Y	10,5Δ / 8 Y	72/76	80	1"

## Kombinované lamelové vývěvy RVP 52, RVP 62, RVP 82



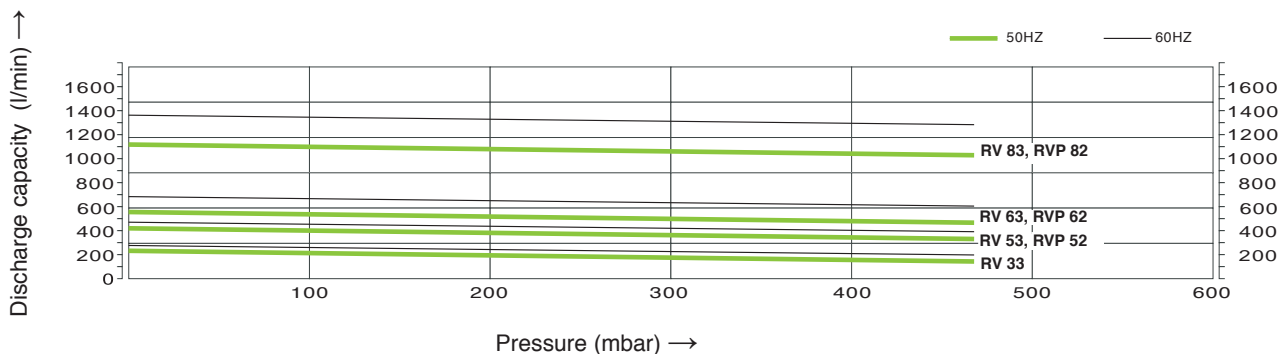
Type	Discharge capacity (L/min) 50/60Hz	Max. vacuum (mbar) 50/60Hz	Motor (IP54), 50 Hz / 60Hz			Noise level (dB)	Weight (kg)	Blower connection (inner thread)
			Power	Voltage	Current			
			( kW )	( V )	( A )			
<b>Three-phase</b>								
RVP 52	405/480	860/900	1,5	200-240 Δ / 345-415 Y	6 Δ / 3,3 Y	65/70	46,5	3/4"
RVP 62	575/685	860/900	2,2	200-240 Δ / 345-415 Y	7,8 Δ / 4,8 Y	66/71	61	3/4"
RVP 82	1130/1350	880/ 924	3,7	200-240 Δ / 345-415 Y	12 Δ / 9,2 Y	67/73	138	1"

## Rotary vane pumps RV 33, RV 53, RV 63, RV 83 / Combined RVP 52, RVP 62, RVP 82

### Performance curves / Pressure

#### Operating curves

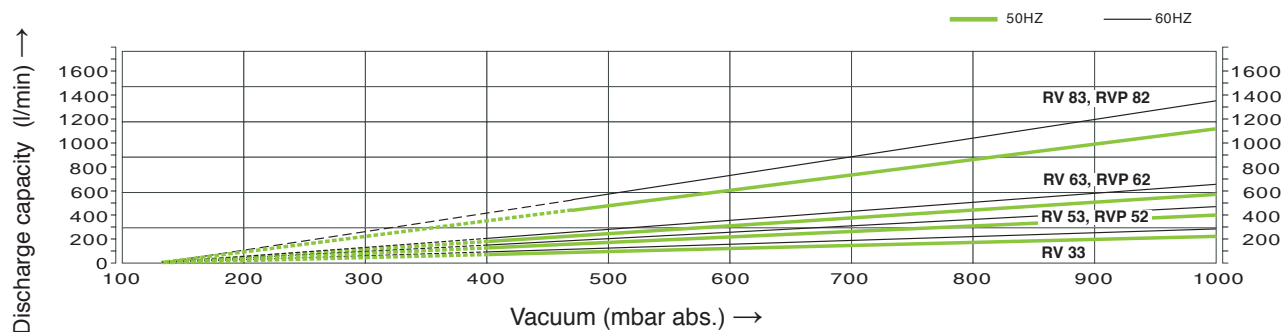
Performance curves are defined for the air transportation with the temperature 15°C set for the suction by the atmospheric pressure 1013 mbar with the permissible deviation +/-10%. Total pressure difference is valid for the temperature of the suction air and the ambient operating temperature 25°C.



### Performance curves / Vacuum

#### Operating curves

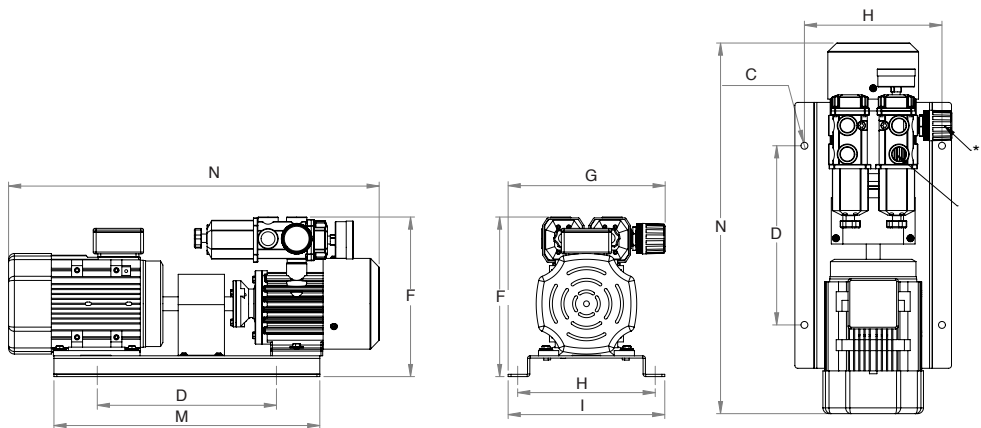
Performance curves are defined for the air transportation with the temperature 15°C set for the suction by the atmospheric pressure 1013 mbar with the permissible deviation +/-10%. Total pressure difference is valid for the temperature of the suction air and the ambient operating temperature 25°C.



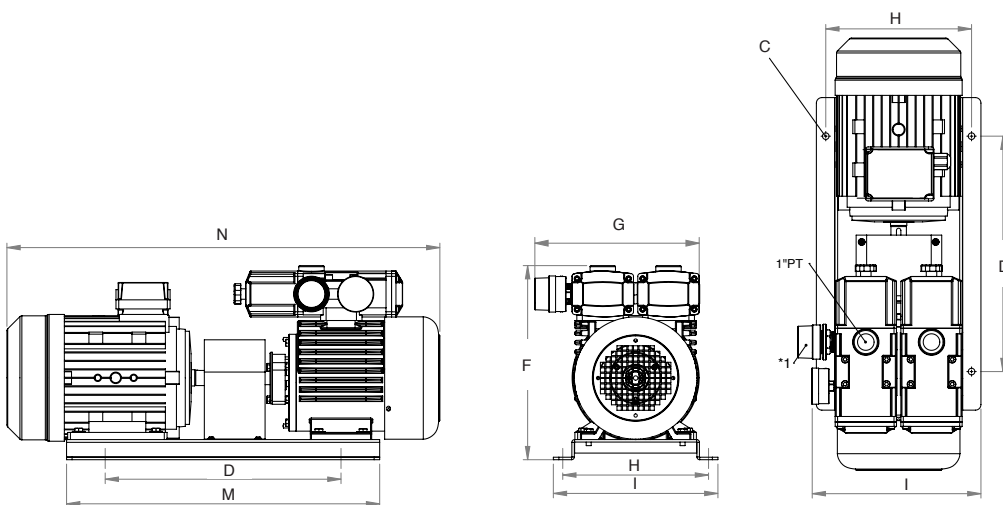
## Rotary vane pumps RV 33, RV 53, RV 63, RV 83

### Dimensions

Type	C	D	F	G	H	I	M	N
RV 33	12	353	265	255	197	223	400	480
RV 53	12	353	265	270	197	223	400	560
RV 63	12	310	283	270	238	271	460	650



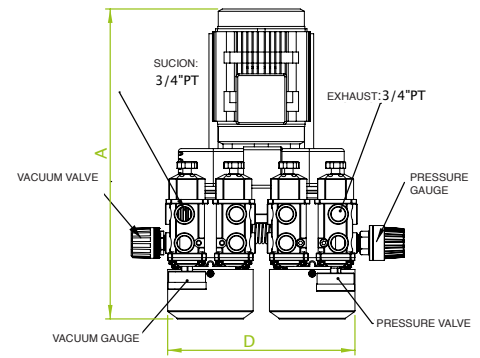
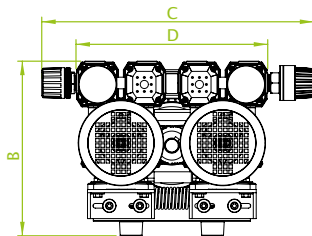
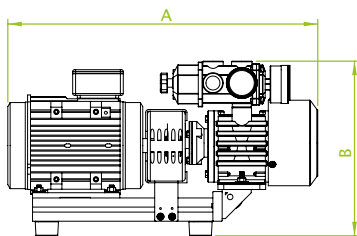
Type	C	D	F	G	H	I	M	N
RV 83	12	427	357	304	264	298	567	709



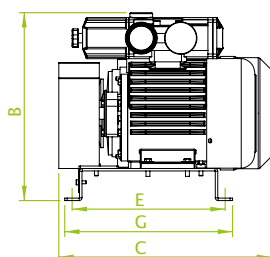
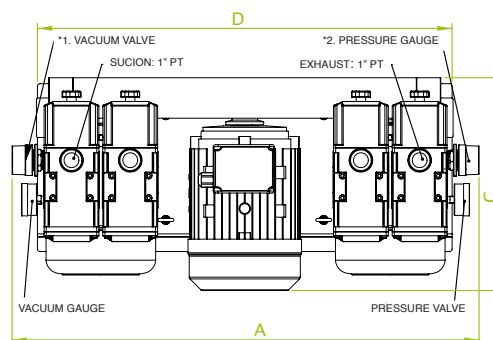
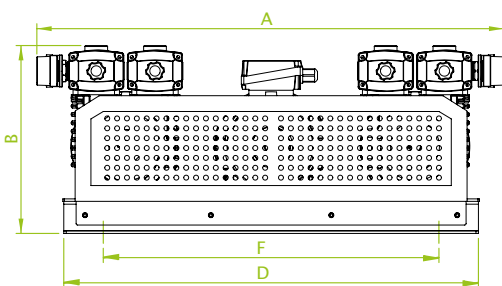
## Combinated rotary vane pumps RVP 52, RVP 62, RVP 82

### Dimensions

Type	A	B	C	D
RVP 52	560	306	468	330
RVP 62	645	306	470	330



Type	A	B	C	D	E	F	G
RVP 82	950	400	500	840	310	680	340





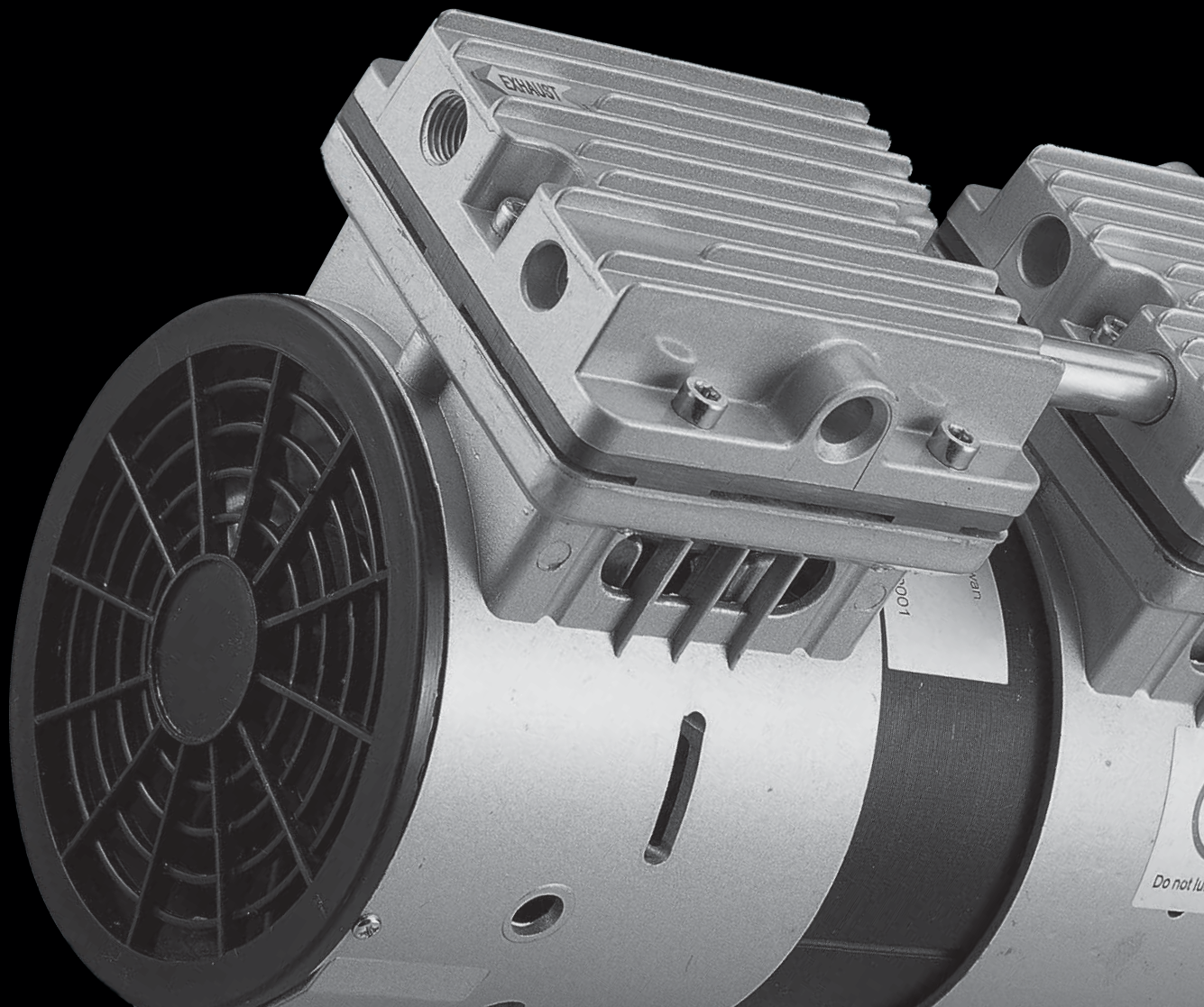
# 3

## Piston pumps VP (Piston vacuum pump)

3.1\_Models of the standard pump

3.2\_Laboratory models

3.3\_Vacuum systems



# 3

## Piston pumps VP (Piston vacuum pump)

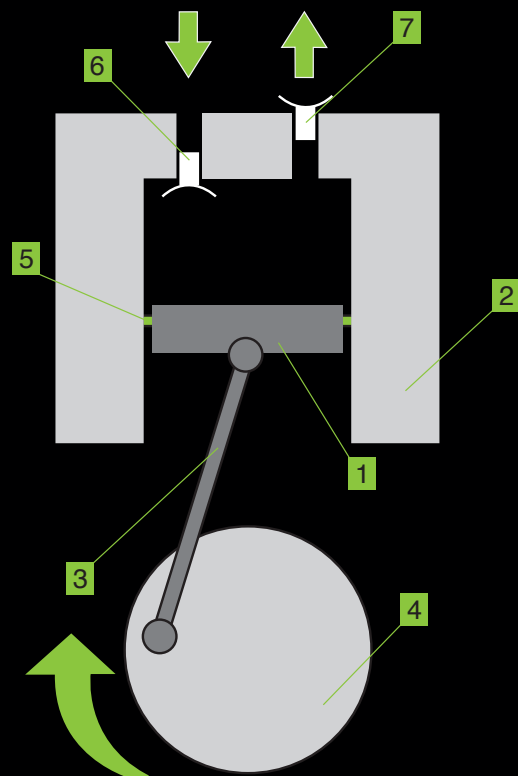
The best attributes of piston and membrane equipment are combined together into the piston vacuum pumps (compressors) - into one small and compact unit. Deeper vacuum can be reached by the series connection of the pistons (for double pistons version). The flow will be increased by parallel connection. Due to the fact that operation of the piston pumps is oil-free, these pumps are suitable for those applications where contamination of the medium by oil mist is undesirable.

### Principle:

The basic principle of the piston pumps is based on linear reversible movement of the piston (1) in the cylinder (2). The piston is moving by piston rod (3), which is driven by the winch by force of cam mechanism (4) – conversion of rotary motion to linear. The piston is sealed towards the cylinder by the piston ring (5), which has high thermal conductivity and low friction without need to lubricate it. By movement of the piston in the cylinder downward the air is sucked through a one-way suction valve (6) into the compression chamber. By movement of the piston upwards, the air is pushed away by the one-way exhaust valve (7).

### Advantages:

- > Not required operation liquid - oil-free operation
- > The pumps reach deep vacuum
- > Low noisiness
- > Compact construction
- > Low weight
- > Do not contaminate the transported gas
- > Easy installation
- > Low temperature at the pump head
- > Long life-time



# 3

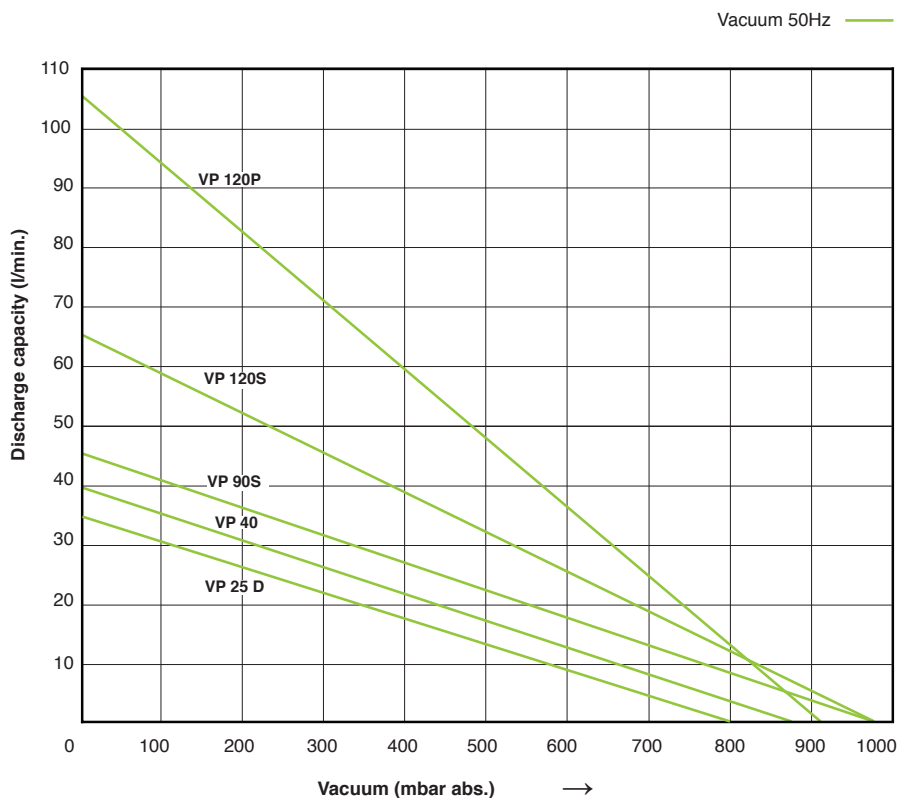
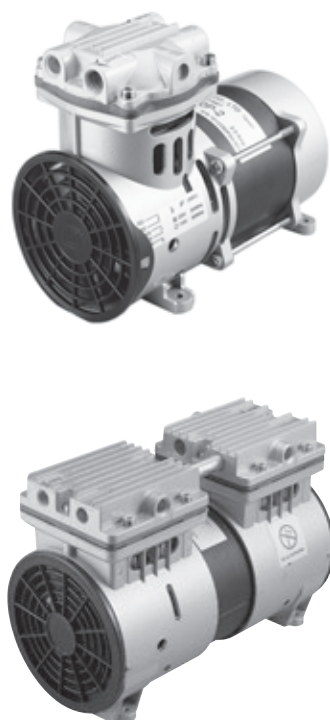
## **Piston pumps VP** (Piston vacuum pump)

—

### **3.1** **Models of the standard pump**

## Piston pumps VP

Models VP25D, VP 40, VP 90S, VP 120S, VP 120P

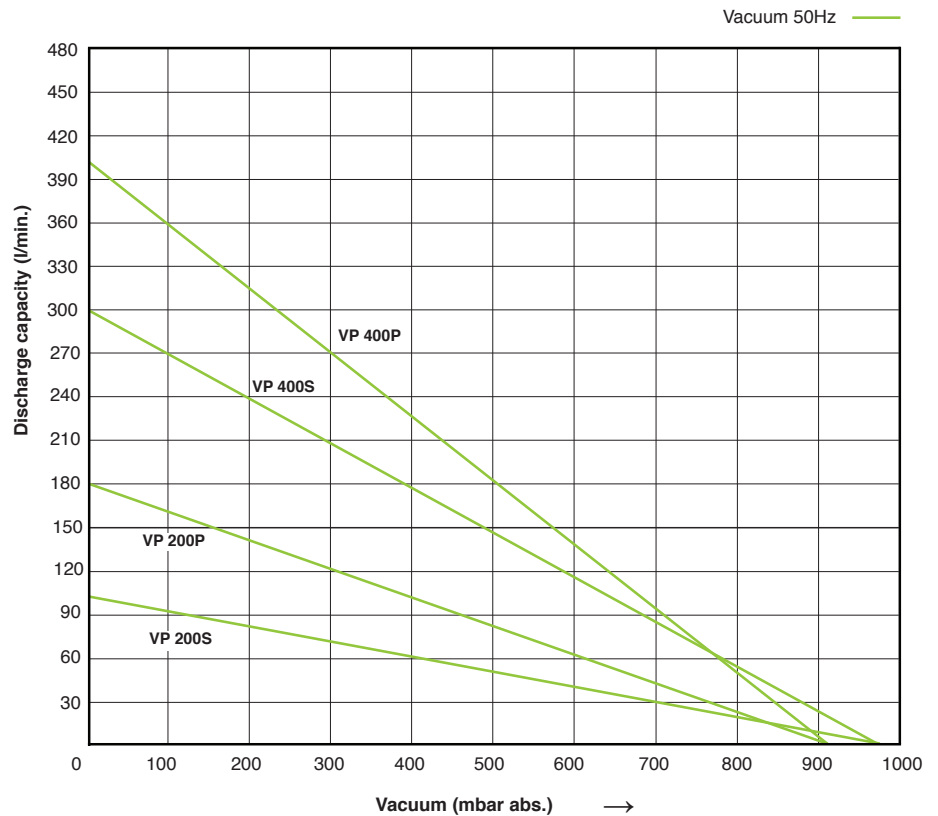


Model	VP 25D	VP 40	VP 90S	VP 120S	VP 120P
Input power	130W	180 W	250 W	300 W	300 W
Noise level	55 dB	58 dB	63 dB	66 dB	66 dB
Weight approx.	3,2 kg	5,2 kg	7,4 kg	7,4 kg	7,4 kg
Exhaust ø	inner thread 1/4"	inner thread 1/4"	inner thread 1/4"	inner thread 1/4"	inner thread 1/4"
Max. Vacuum Rate	800 mbar	880 mbar	987 mbar	987 mbar	907 mbar
Max. Volume Flow	34 L / min	40 L / min	45 L / min	65 L / min	105 L / min
Rated Voltage	230V / 50Hz	230V / 50Hz	230V / 50Hz	230 V / 50Hz	230 V / 50Hz
Thermal protector	135 ± 5% °C	135 ± 5% °C	135 ± 5% °C	135 ± 5% °C	135 ± 5% °C
Cover IP	IP 54	IP 54	IP 54	IP 54	IP 54
Product dimesions L x W x H	175 x 93 x 143 mm	190 x 105 x 165 mm	250 x 128 x 176 mm	250 x 128 x 176 mm	250 x 128 x 176 mm
Installation Dimension	114 x 70 mm (M6)	126 x 86,5 mm (M6)	203,5 x 89 mm (M6)	203,5 x 89 mm (M6)	203,5 x 89 mm (M6)

The single phase machines are designed with a +/- 10 % tolerance. Information presented is based on test results from nominal units. Specifications are subject to change without notice.

## Piston pumps VP

Models VP 200P, VP 200S, VP 400P, VP 400S



Model	VP 200S	VP 200P	VP 400S	VP 400P
Input power	500 W	500 W	1 kW	1 kW
Noise level	66,5 dB	66 dB	66 dB	66 dB
Weight approx.	10,2 kg	9,2 kg	29 kg	29 kg
Exhaust $\varnothing$	inner thread 1/4"	inner thread 1/4"	inner thread 1/2"	inner thread 1/2"
Max. Vacuum Rate	987 mbar	907 mbar	987 mbar	907 mbar
Max. Volume Flow	105 L / min	180 L / min	300 L / min	400 L / min
Rated Voltage	230V / 50Hz	230V / 50Hz	230 V / 50Hz	230 V / 50Hz
Thermal protector	145 $\pm$ 5% °C	145 $\pm$ 5% °C	145 $\pm$ 5% °C	145 $\pm$ 5% °C
Cover IP	IP 54	IP 54	IP 54	IP 54
Product dimensions L x W x H	270 x 135 x 202 mm	250 x 128 x 203 mm	450 x 350 x 280	450 x 350 x 280 mm
Installation Dimension	225 x 90 mm (M6)	203,5 x 89 mm (M6)	240 x 320 mm (M6)	240 x 320 (M6)

The single phase machines are designed with a +/- 10 % tolerance. Information presented is based on test results from nominal units. Specifications are subject to change without notice.

## Accessories for piston pumps VP

manometer for vacuum, filter, valve

### Type VFR-A-MPA

Accessories for piston pumps VP  
VP40, VP90S, VP120S



### Type VFR-B-MPA

Accessories for piston pumps VP  
VP120P, VP200S, VP200P



manometer for vacuum, filter, valve	Type	Product dimesions (mm)	Measuring range	Connection (inner thread)
	VFR-A-MPA	170 x 50 x 40	-1 až 0 MPa	G 1/4"
	VFR-B-MPA	200 x 55 x 55	-1 až 0 MPa	G 1/4"

# 3

## **Piston pumps VP** (Piston vacuum pump)

—

### **3.2** **Laboratory models**

# 3

## **Piston pumps VP** (Piston vacuum pump)

—

### **3.2** **Laboratory models**



## Piston pumps VP

Models VP LABV 10, VP LABV 20, VP LABV 30

### VP LABV 10



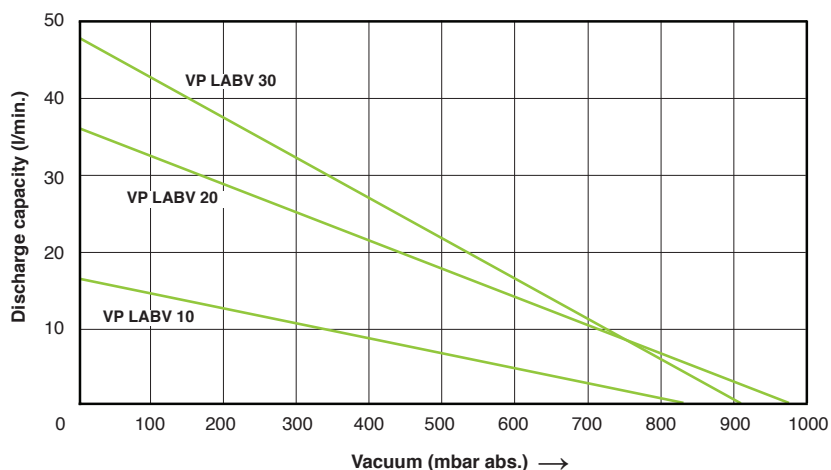
### VP LABV 20



### VP LABV 30



Vacuum 50Hz

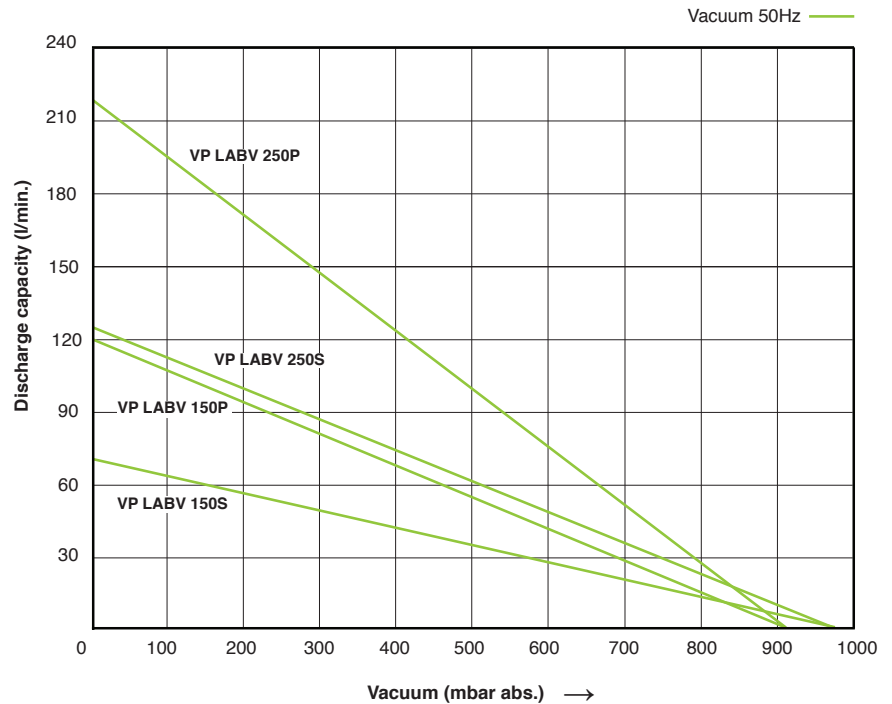


Model	VP LABV 10	VP LABV 20	VP LABV 30
Input power	60 W	85 W	180 W
Noise level	≤ 58 dB	≤ 55 dB	≤ 65 dB
Weight approx.	5,5 kg	6,8 kg	8,5 kg
Exhaust ø	9 mm	9 mm	9 mm
Max. Vacuum Rate	826 mbar	987 mbar	907 mbar
Max. Volume Flow	16 L / min	36 L / min	48 L / min
Rated Voltage	230V / 50Hz	230V / 50Hz	230 V / 50Hz
Cover IP	IP 54	IP 54	IP 54
Product dimensions L x W x H (mm)	370 x 170 x 256	370 x 170 x 256	370 x 170 x 256

The single phase machines are designed with a +/- 10 % tolerance. Information presented is based on test results from nominal units. Specifications are subject to change without notice.

## Piston pumps VP

Models VP LABV 150P, VP LABV 250P, VP LABV 150S, VP LABV 250S



Model	VP LABV 150P	VP LABV 250P	VP LABV 150S	VP LABV 250S
Input power	300 W	560 W	300 W	560 W
Noise level	≤ 66 dB	≤ 66 dB	≤ 66 dB	≤ 67 dB
Weight approx.	11,5 kg	13 kg	11,5 kg	13 kg
Exhaust ø	9 mm	9 mm	9 mm	9 mm
Max. Vacuum Rate	906 mbar	906 mbar	986 mbar	986 mbar
Max. Volume Flow	120 L / min	220 L / min	75 L / min	125 L / min
Rated Voltage	230V / 50Hz	230V / 50Hz	230 V / 50Hz	230 V / 50Hz
Cover IP	IP 54	IP 54	IP 54	IP 54
Product dimensions L x W x H (mm)	340 x 187,4 x 305	340 x 187,4 x 305	340 x 187,4 x 305	340 x 187,4 x 305

The single phase machines are designed with a +/- 10 % tolerance. Information presented is based on test results from nominal units. Specifications are subject to change without notice.

# 3

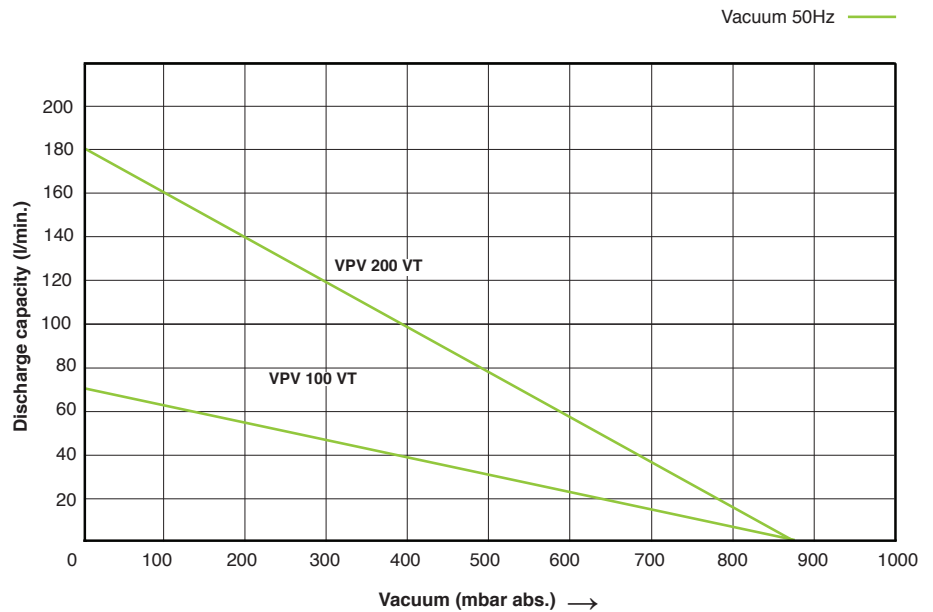
## **Piston pumps VP** (Piston vacuum pump)

—

### **3.3** **Vacuum systems**

## Vacuum systems VPV

Models VPV 100VT, VPV 200VT



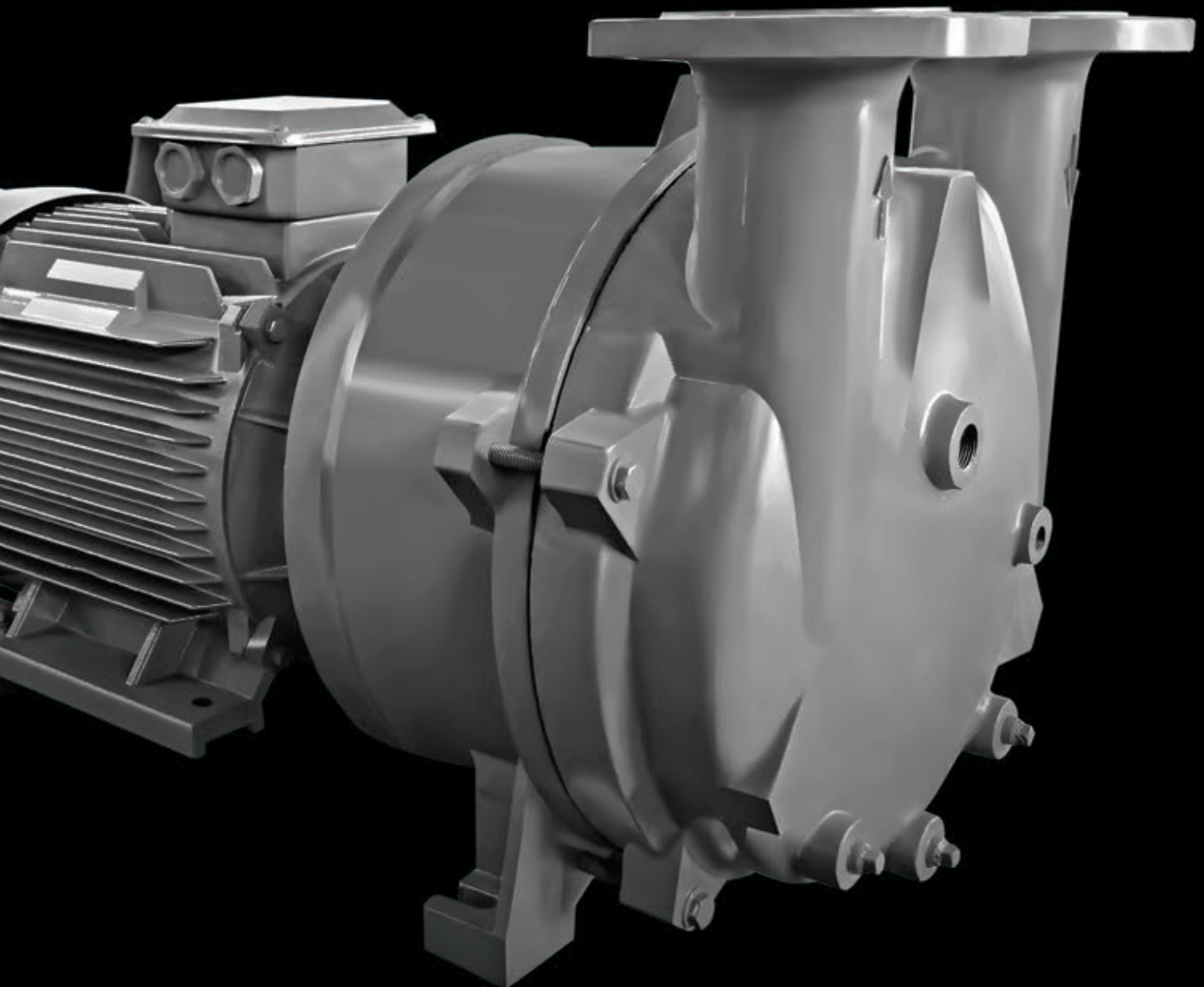
Model	VPV 100VT	VPV 200VT
Input power	250 W	500 W
Noise level	63 dB	63 dB
Weight approx.	19,7 kg	21,5 kg
Exhaust ø	3/8"	3/8"
Max. Vacuum Rate	866 mbar	866 mbar
Max. Volume Flow	75 L / min	180 L / min
Rated Voltage	30 L	30 L
Thermal protector	230V / 50Hz	230V / 50Hz
Cover IP	135 ± 5% °C	135 ± 5% °C
Product dimensions L x W x H	IP 54	IP 54
Installation Dimension	700 x 300 x 550 mm	700 x 300 x 550 mm

The single phase machines are designed with a +/- 10 % tolerance. Information presented is based on test results from nominal units. Specifications are subject to change without notice.

# 4

## Liquid ring pump LRX, LRM

---



# 4

## Liquid ring pump

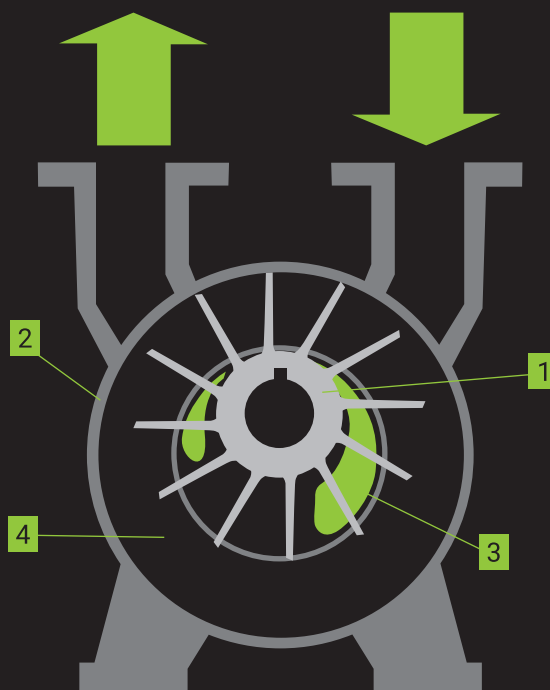
Liquid ring vacuum pumps LRX and LRM are designed primarily for exhaustion of vapors and gases in various industries such as food and chemical industry. They are also used for evaporation, drying and packaging of the goods. Their big advantage is the fact they can evacuate gases with particles of liquid (vapor) as well as medium with a slight mechanical contamination (without abrasive effect).

### Principle:

Rotor with fixed blades (1) is rotating in the stator (2), in which is situated eccentrically. Water ring is created from the service liquid (3) by the centrifugal force. The vacuum is formed and the pressure is changed in the compression chambers (4) between the blades and water ring. During the operation, the pump has to be supplied by adequate quantity of service liquid to achieve desired performance. Service liquid is also very useful for cooling of the liquid ring vacuum pump and for receiving possible contamination of sucked gas.

### Advantages:

- > Oil-free operation
- > They are suitable for suction of gases and vapors
- > They can reach relatively deep vacuum
- > They are able to work simultaneously with the gas and liquid
- > Anti cavitation protection is ensured by installation of anti-cavitation valve
- > Safe operation with minimal maintenance
- > Smooth running without vibration
- > Economic operation



# 4

## Liquid ring pump

(Liquid ring vacuum pumps)

—

### 4.1

#### Liquid ring pump LRX

## Liquid ring pump LRX

### Performance table

Type	Discharge capacity (m <sup>3</sup> /h)	Vacuum (mbar) (abs)	RPM	Motor (IP55), 50Hz (60Hz*)			Noise level (dB)	Weight (kg)	Max. qty. of liquid in continuous operation (l/h)	Recommended type flowmeter
				Power (kW)	Voltage (V)	Current (A)				
<b>Three-phase</b>										
LRX 2060	27	33	2840	0,81	200-240 Δ / 345-415 Y	3,4	62	37	120	R-1/R
LRX 2061	52	33	2840	1,45	200-240 Δ / 345-415 Y	3,3	65	41	120	R-1/R
LRX 2070	80	33	2860	2,35	200-240 Δ / 345-415 Y	6,5	66	66	150	R-1/R
LRX 2071	110	33	2880	3,85	200-240 Δ / 345-415 Y	8,2	72	85	252	R-1/R
LRX 5110	165	33	1440	4	345 - 415 Δ	8,7	63	120	402	R-1/R
LRX 5111	230	33	1440	5,5	345 - 415 Δ	11,5	68	150	498	R-2/R
LRX 5121	280	33	1440	7,5	345 - 415 Δ	15,4	69	210	600	R-2/R
LRX 5131	400	33	1460	11	345 - 415 Δ	22,6	73	280	900	R-2/R
LRX 5161	500	33	970	15	345 - 415 Δ	31,4	74	390	1200	R-2/R
LRX 6110	165	33	1440	4	345 - 415 Δ	8,7	63	148	402	R-2/R
LRX 6111	230	33	1440	5,5	345 - 415 Δ	11,5	68	196	498	R-2/R
LRX 6121	280	33	1440	7,5	345 - 415 Δ	15,4	69	220	600	R-2/R
LRX 6131	400	33	1460	11	345 - 415 Δ	22,6	73	314	900	R-2/R
LRX 6161	500	33	970	15	345 - 415 Δ	31,4	74	426	1200	R-2/R

### Features of the Liquid ring pump LRX series

#### The difference between LRX5 and LRX6:

The performance of LRX5 and LRX6 is the same.

The size of LRX6 is longer.

Because LRX5 don't have the couplings between pumps and motors. The pump is installed with the same shaft with motor.

The pump shaft and motor shaft is connected by coupling for LRX6. So the materials of pump shaft can be SS304 or other ones. And can be installed with Explosion-Proof Motor.

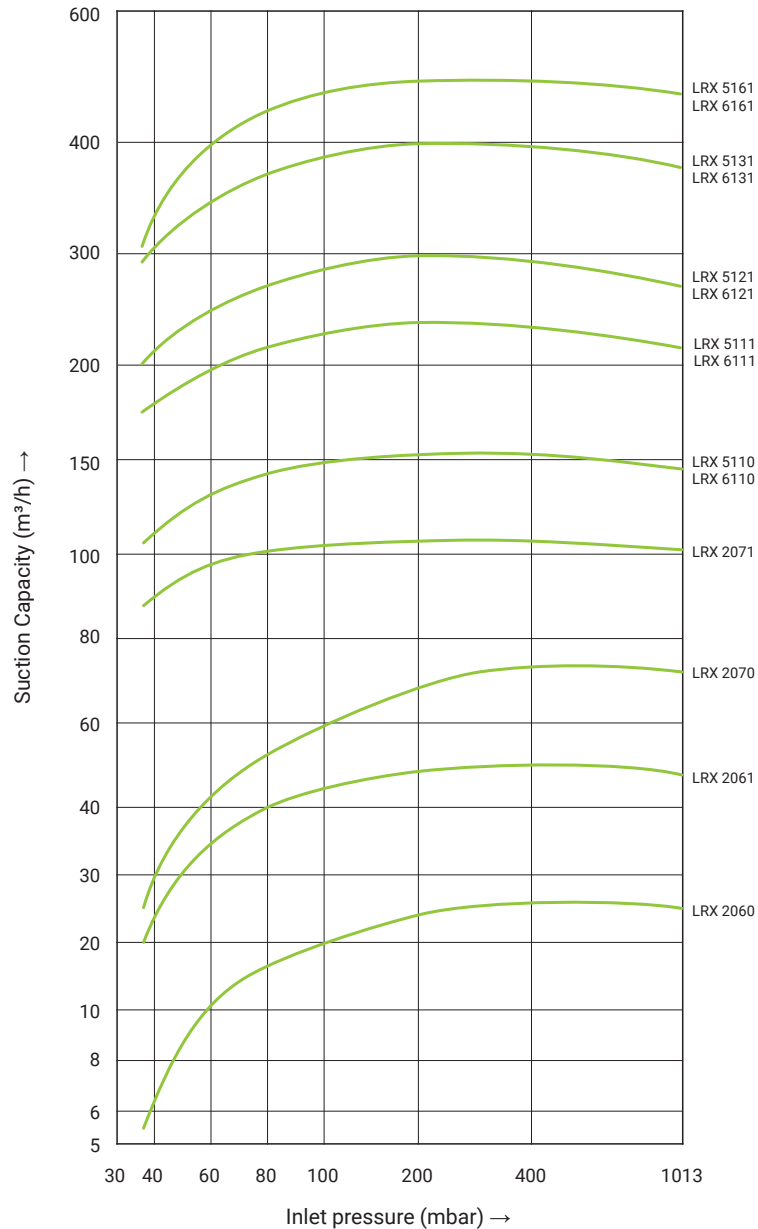


\* Please request 60 Hz data



## Liquid ring pump LRX

### Performance curves

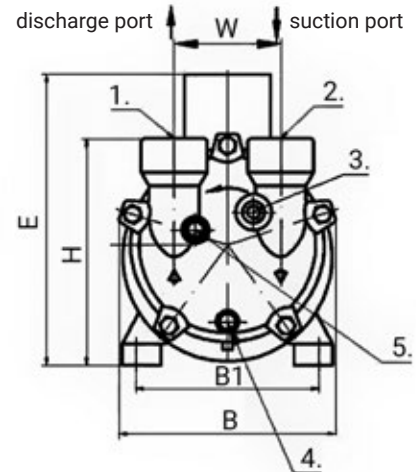
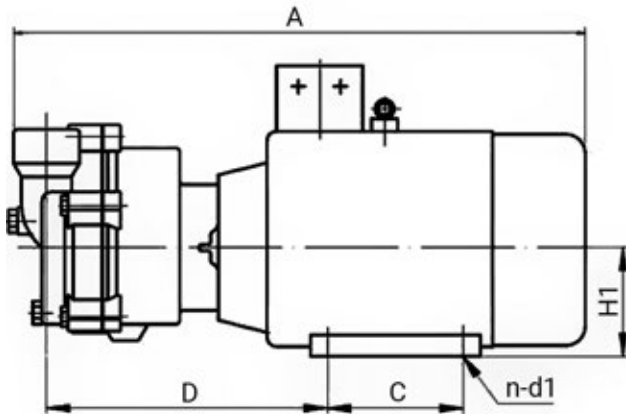


#### Suction capacity and power consumption depending on inlet pressure

The Characteristics are applicable for compression of 20 °C (68 F) dry air from inlet pressure to atmospheric pressure (1013 mbar) for nominal speed and drive with three phase motors. Ring liquid is water at 15 °C (59 F) . The tolerance of suction capacity is -10% and of the power consumption +10%. With different operating conditions performance characteristics change.

## Liquid ring pump LRX

### LRX 2 Series - Dimensions



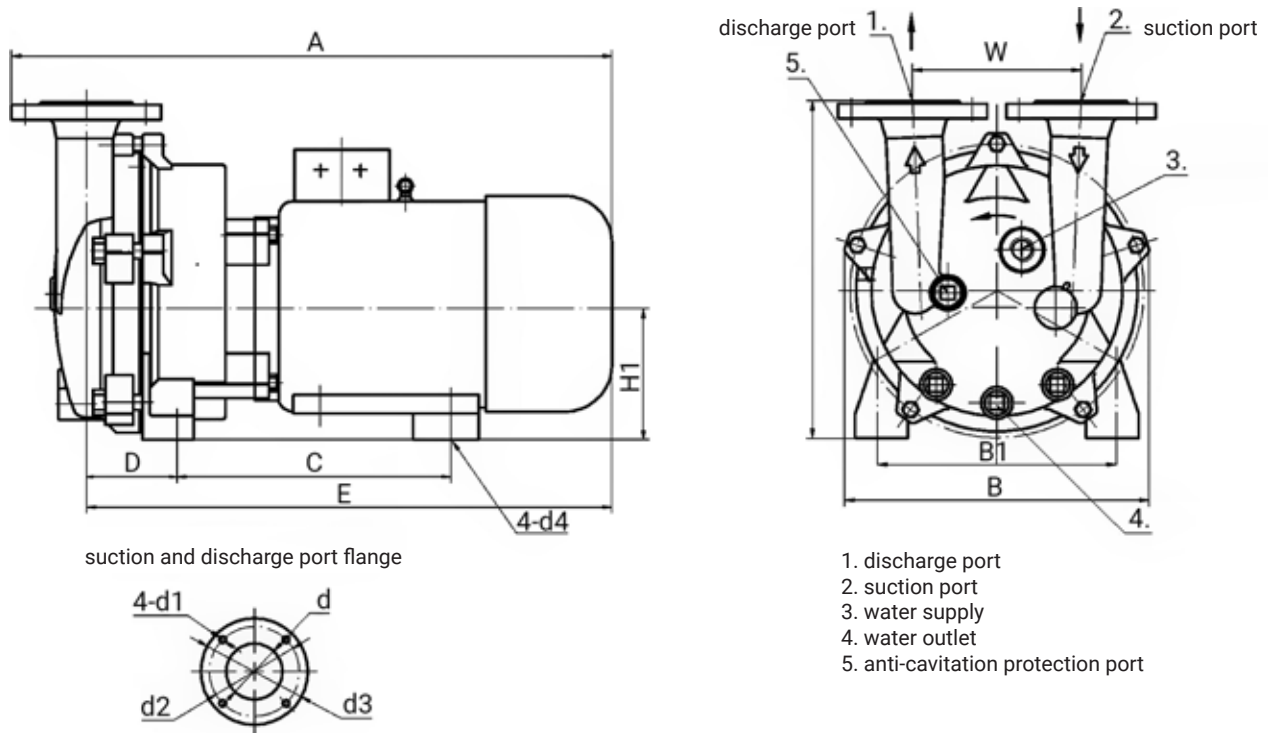
1. discharge port
2. suction port
3. water supply
4. water outlet
5. anti-cavitation protection port

Type	A (mm)	B (mm)	B1 (mm)	C (mm)	D (mm)	E (mm)	H (mm)	H1 (mm)	W (mm)
LRX 2060	450	186	140	100	203	250	196	90	110
LRX 2061	475	186	140	100	223	250	196	90	110
LRX 2070	565	224	160	100	260	270	222	100	110
LRX 2071	590	224	160	100	260	300	222	112	110

Type	n	d1	1.	2.	3.	4.	5.
LRX 2060	4	10	G1"	G1"	G 3/8"	G 1/4"	G 3/8"
LRX 2061	4	10	G1"	G1"	G 3/8"	G 1/4"	G 3/8"
LRX 2070	4	12	G 1 1/2"	G 1 1/2"	G 3/8"	G 1/4"	G 3/8"
LRX 2071	4	12	G 1 1/2"	G 1 1/2"	G 3/8"	G 1/4"	G 3/8"

## Liquid ring pump LRX

### LRX 5 Series - Dimensions



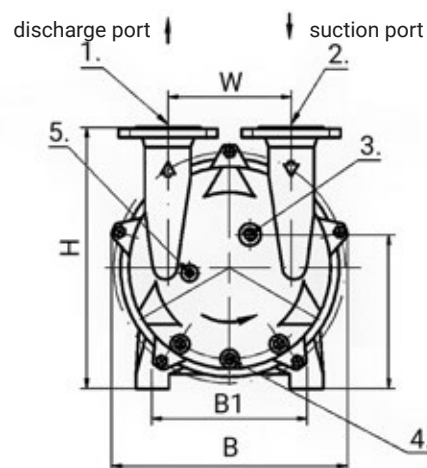
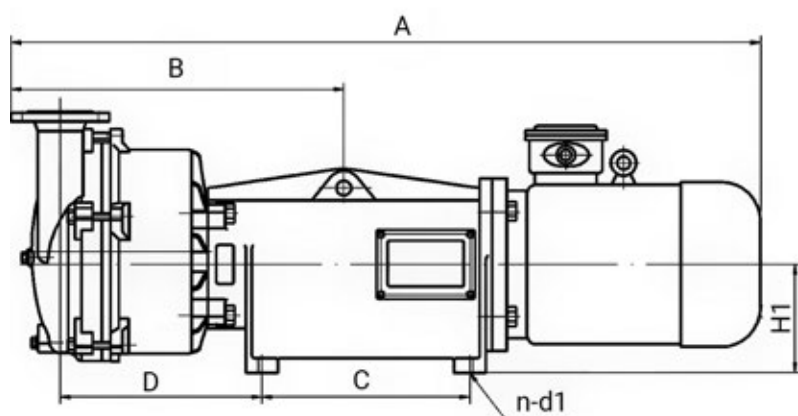
Type	A (mm)	B (mm)	B1 (mm)	C (mm)	D (mm)	E (mm)	H (mm)	H1 (mm)	W (mm)
LRX 5110	647	325	255	340	97	567	360	140	180
LRX 5111	669	325	265	340	106	589	371	150	180
LRX 5121	772	347	265	420	96	681	385	150	200
LRX 5131	850	377	300	475	103	759	427	175	200
LRX 5161	1060	479	370	570	137	960	521	210	250

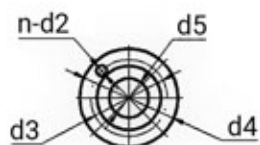
Type	d	d1	d2	d3	d4	3.	4.	5.
LRX 5110	50	19	123	160	13	G 1/2"	G 3/8"	G 3/8"
LRX 5111	50	19	123	160	14	G 1/2"	G 3/8"	G 3/8"
LRX 5121	65	19	145	182	14	G 3/4"	G 3/8"	G 3/8"
LRX 5131	65	19	145	182	14	G 3/4"	G 3/8"	G 3/8"
LRX 5161	80	22	156	200	14	G 3/4"	G 3/4"	G 3/8"

## Liquid ring pump LRX

### LRX 6 Series - Dimensions



suction and discharge port flange



1. discharge port
2. suction port
3. water supply
4. water outlet
5. anti-cavitation protection port

Type	A (mm)	B (mm)	B1 (mm)	C (mm)	D (mm)	H (mm)	H1 (mm)	W (mm)
LRX 6110	1043	340	252	248	281	383	163	180
LRX 6111	1216	340	290	325	332	406	185	180
LRX 6121	1264	382	290	325	349	420	185	200
LRX 6131	1455	390	316	417	351	531	220	200
LRX 6161	1615	480	316	417	409	521	220	200
Type	d1	d2	d3	d4	d5	3.	4.	5.
LRX 6110	13	19	123	160	50	G 1/2"	G 3/8"	G 3/8"
LRX 6111	14	19	123	160	50	G 1/2"	G 3/8"	G 3/8"
LRX 6121	14	19	145	182	65	G 3/4"	G 3/8"	G 3/8"
LRX 6131	14	19	145	182	65	G 3/4"	G 3/8"	G 3/8"
LRX 6161	14	22	156	200	80	G 3/4"	G 3/4"	G 3/8"

# 4

## Liquid ring pump

(Liquid ring vacuum pumps)

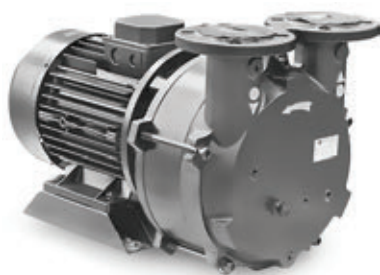
—

### 4.2

#### Liquid ring pump LRM

## Liquid ring pump LRM

### Performance table



Type	Frequency (Hz)	RPM	Discharge capacity (m³/h)	Vacuum (mbar) (abs)	Motor (IP55)			Noise level (dB)	Weight (kg)
					Power (kW)	Voltage (V)	Current (A)		
<b>Three-phase</b>									
LRM 25	50	2850	25	33	0,75	200-240 Δ / 345-415 Y	1,76 Y	68	18
LRM 50	50	2850	45	33	1,5	200-240 Δ / 345-415 Y	3,13 Y	68	23
LRM 95	50	1450	75	33	2,2	200-240 Δ / 345-415 Y	4,83 Y	65	56
LRM 130	50	1450	120	33	4,0	200-240 Δ / 345-415 Y	8,15 Δ	65	73
LRM 255	50	1450	180	33	5,5	200-240 Δ / 345-415 Y	11,0 Δ	65	100
LRM 325	50	1450	300	33	7,5	200-240 Δ / 345-415 Y	15,0 Δ	72	132
LRM 455	50	1450	400	33	11,0	200-240 Δ / 345-415 Y	21,2 Δ	72	205

Type	Max. qty. of liquid in continuous operation (l/h)	Max. qty. of liquid in discontinuous operation (l/h)	Recommended type flowmeter	Measuring range of flowmeter (l/h)
<b>Three-phase</b>				
LRM 25	500	600	R-2/R	80 - 800
LRM 50	600	720	R-2/R	80 - 800
LRM 95	1700	2000	R/3	200 - 3000
LRM 130	1800	2200	R/3	200 - 3000
LRM 255	3000	3600	R/3	200 - 3000
LRM 325	3200	3900	R/3	200 - 3000
LRM 455	3800	4600	R/4	500 - 6000



Flowmeter R-2/R



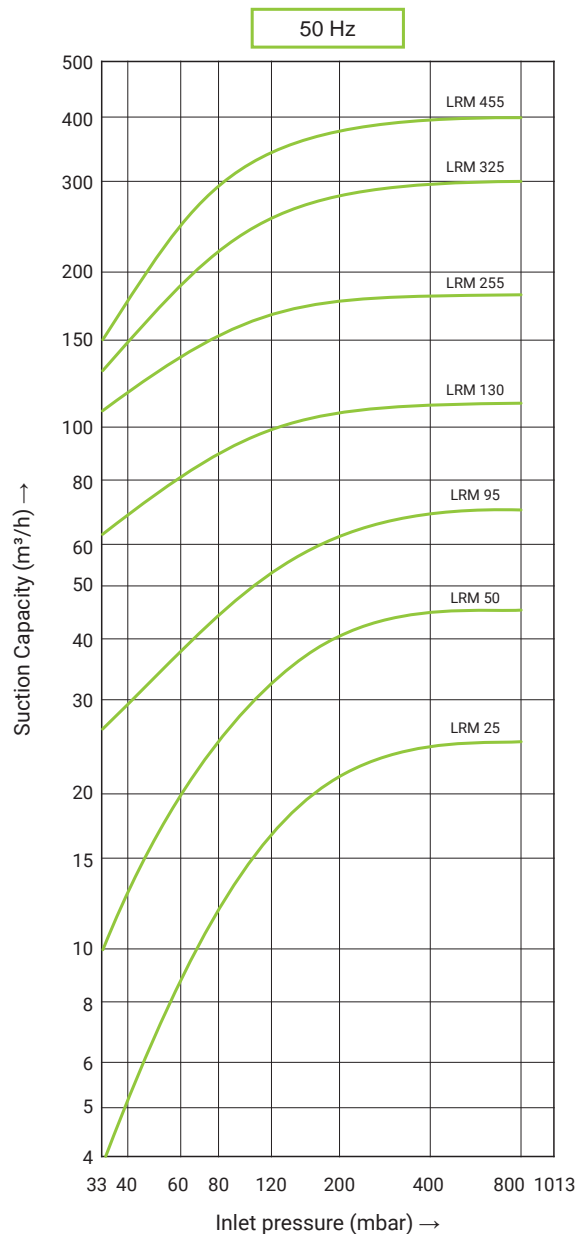
Flowmeter R/3, R/4

## Liquid ring pump LRM

### Performance curves

Suction capacity and power consumption depending on inlet pressure

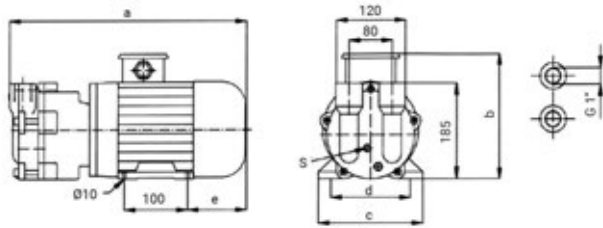
The Characteristics are applicable for compression of 20 °C (68 F) dry air from inlet pressure to atmospheric pressure (1013 mbar) for nominal speed and drive with three phase motors. Ring liquid is water at 15 °C (59 F) . The tolerance of suction capacity is -10% and of the power consumption +10%. With different operating conditions performance characteristics change.



## Liquid ring pump LRM

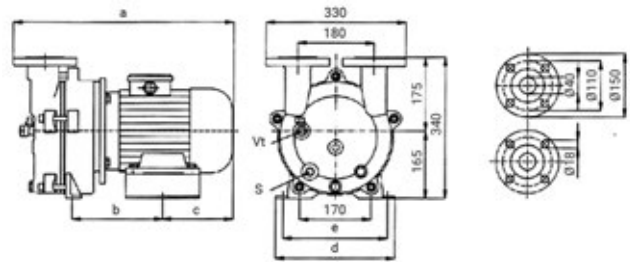
### Dimensions

#### LRM 25 / LRM 50



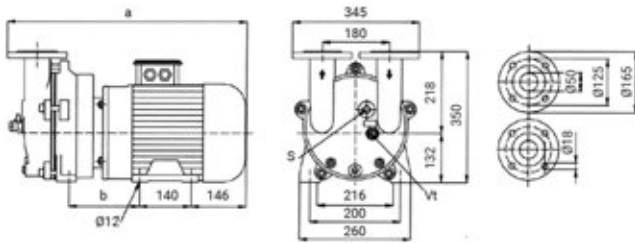
Type	a (mm)	b (mm)	c (mm)	d (mm)	e (mm)	S	Weight (kg)
LRM 25	365	200	160	125	88	G 1/4"	18
LRM 50	405	215	180	140	102	G 1/4"	23

#### LRM 95 / LRM 130



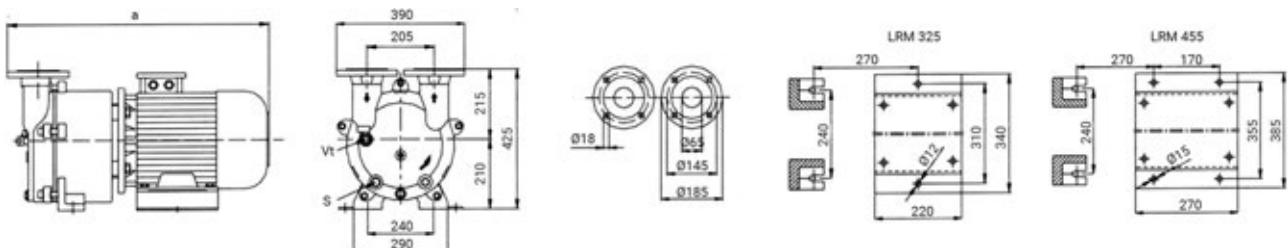
Type	a (mm)	b (mm)	c (mm)	d (mm)	e (mm)	S	Vt	Weight (kg)
LRM 95	520	165	185	285	255	G 1/2"	G 1/4"	55
LRM 130	405	215	180	140	102	G 1/2"	G 1/4"	23

#### LRM 255



Type	a (mm)	b (mm)	S	Vt	Weight (kg)
LRM 255	680	215	G 1/2"	G 1/4"	98

#### LRM 325 / LRM 455



Type	a (mm)	S	Vt	Weight (kg)
LRM 325	720	G 3/4"	G 1/2"	132
LRM 455	840	G 3/4"	G 1/2"	193



**INECO**®

**Air and Vacuum  
Components**

[www.in-eco.eu](http://www.in-eco.eu)

**IN-ECO, spol. s r.o.**  
Radlinského 13  
034 01 Ružomberok  
Slovak Republic

**T** +421 44 4304662  
**E** [info@in-eco.eu](mailto:info@in-eco.eu)

## Notes

Place for your notes

---

**INECO**<sup>®</sup>

**Air and Vacuum  
Components**

[www.in-eco.eu](http://www.in-eco.eu)

**IN-ECO, spol. s r.o.**  
Radlinského 13  
034 01 Ružomberok  
Slovak Republic

**T** +421 44 4304662  
**E** [info@in-eco.eu](mailto:info@in-eco.eu)

## Notes

Place for your notes

---

---

**INECO**®

**Air and Vacuum  
Components**

[www.in-eco.eu](http://www.in-eco.eu)

**IN-ECO, spol. s r.o.**  
Radlinského 13  
034 01 Ružomberok  
Slovak Republic

**T** +421 44 4304662  
**E** [info@in-eco.eu](mailto:info@in-eco.eu)

## Notes

Place for your notes

---

---

**INECO**<sup>®</sup>

IN-ECO, spol. s r.o.  
Radlinského 13  
034 01 Ružomberok  
Slovak Republic  
T +421 44 4304662  
E [info@in-eco.eu](mailto:info@in-eco.eu)  
[www.in-eco.eu](http://www.in-eco.eu)

01.12.2024